

BAKA Protect 4010 3D

with 3D comfortable eccentric adjustment



Product features

- for rebated timber entrance doors
- concealed receiver in the door leaf and frame
- with comfortable eccentric adjustment
- 3D adjustment (side +/- 3,0 mm, height +/- 3,0 mm, compression +/- 3,0 mm)
- internal pin
- usable for system testing in accordance with DIN EN 1627 ff.
- maintenance-free slide bearings

Technical details

Attributes	Value
Load capacity	160,0 kg
Knuckle length	140,0 mm
Knuckle diameter	20,0 mm
Pin diameter	10,0 mm
Cutter diameter	20,0 mm

Note

The load capacity mentioned above refers to the use of 2 hinges per door leaf (1 x 2 m), for detailed information please look at

Quality marks



Certification CE



Certification IFT

Classification key

2	7	3	1 ^{*1}	1	— ^{*2}	0	10 ^{*3}
---	---	---	-----------------	---	-----------------	---	------------------

^{*1} Test evidence for functional doors to be achieved with full door sets and assemblies.

^{*2} depending on the finish

^{*3} test cycles in continuous operation with 160 kg

BAKA - BAKA Protect 4010 3D

the chapter "technical information".

Set consists of 3 hinges (1 hinge = height and side adjustment, 2 hinges = compression and side adjustment).

If necessary, a 4th hinge has to be ordered separately.

Also available with security pin (MSTS).

Suitable for

Drilling jig BAKA Protect 4000
frame

Retrofit kit BAKA Protect 4000
frame

Ball bearing location routing jig
BAKA Protect 4000 door

Ball bearing location routing jig
BAKA Protect 4000 frame

Routing jig BAKA Protect 4000
door

Drilling / routing jig BAKA
Protect 4000 frame

Combinations

Decorative sleeve no. 12
Cover cap BAKA Protect 4000

Function range



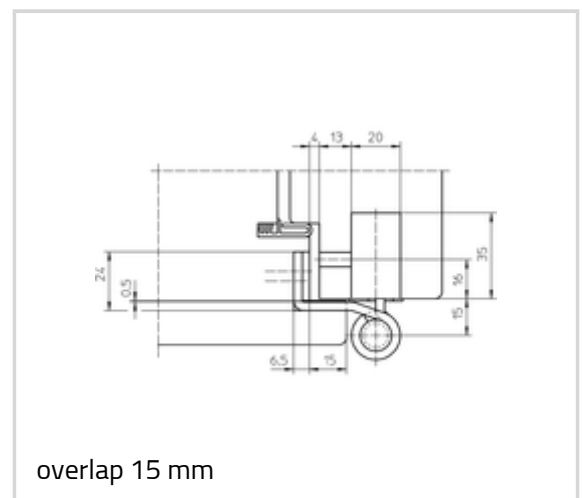
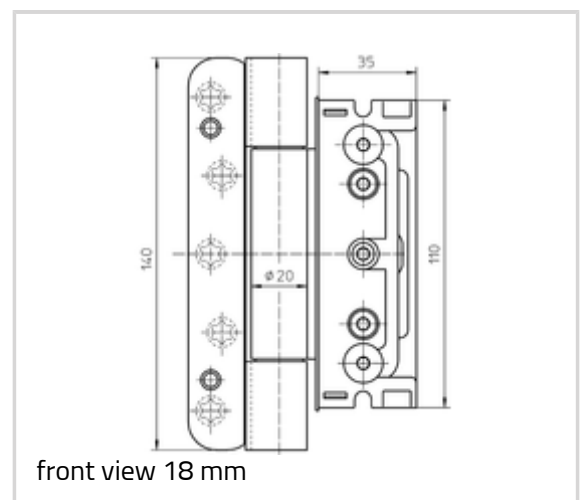
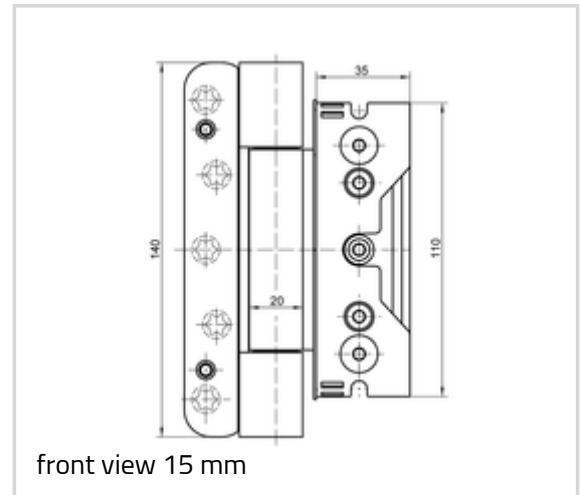
burglar resistance



fire resistance

Item

Finish(es)	Satin Stainless Steel (040)
OF-NR.	040
VPE	1 set (3 pieces)
DIN	DIN right and left hand
Item No.	5 080820 0 04085



BAKA - BAKA Protect 4010 3D

EAN	4015471103842
Finish(es)	RAL 9016 Traffic White (070)
OF-NR.	070
VPE	1 set (3 pieces)
DIN	DIN right and left hand
Item No.	5 080820 0 07085
EAN	4015471103699
Finish(es)	Topzinc (110)
OF-NR.	110
VPE	1 set (3 pieces)
DIN	DIN right and left hand
Item No.	5 080820 0 11085
EAN	4015471103774

