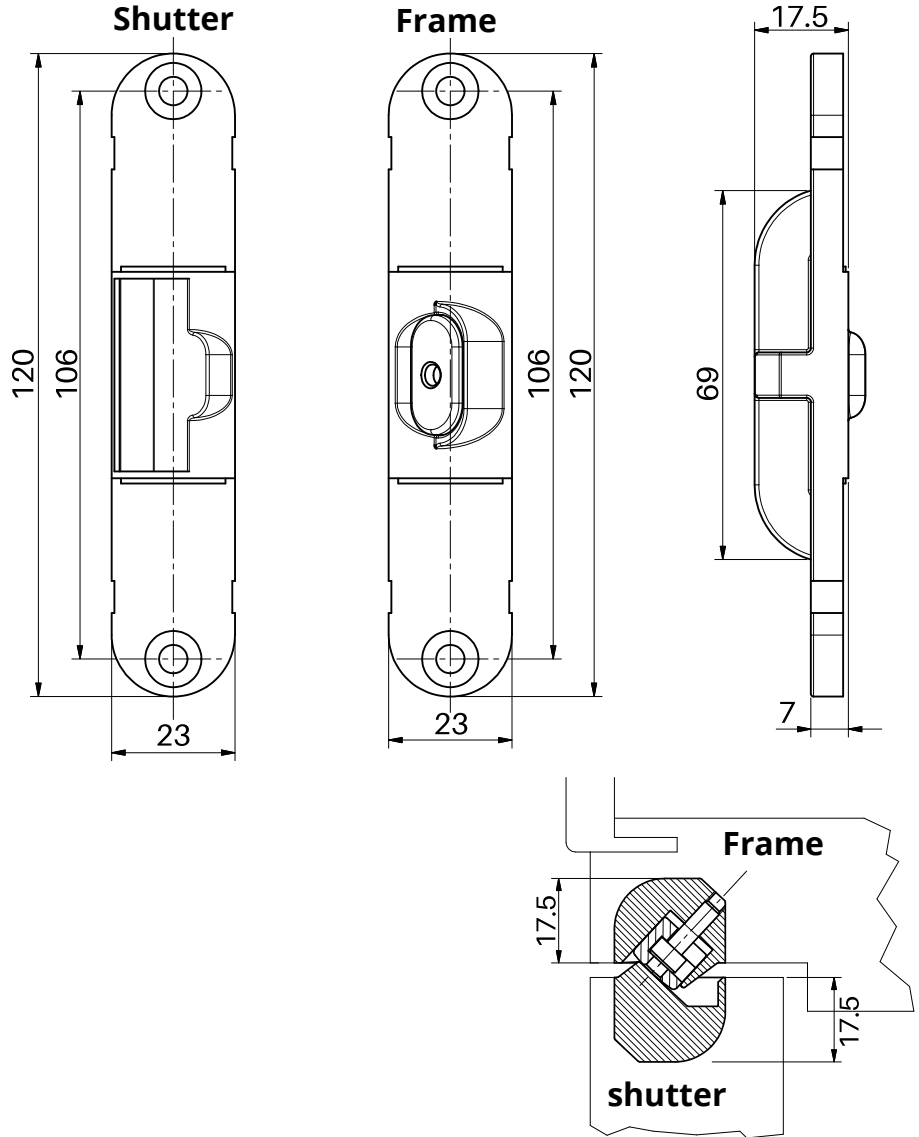


TECHNICAL SHEET INVISACTA AI230

Concealed door alignment device for flush doors



Technical features

- The device allows to keep the shutter aligned to the frame, avoiding in this way door deformities.
- The door alignment device is suitable to be installed on doors and frames in wood and aluminium
- Compatible with millings of IN23 hinges.
- Adjustable tension of the door jamb.
- Material of device: ZAMAK.
- Material of caps: aluminium.

Technical data

Device height	120 mm
width shutter side	23 mm
width frame side	23 mm
Depth	17,5 mm

*Tested with 90x210cm doors

Accessories

Aluminium jig	MU230120G002
Nylon jig	MUINV500G004
Door alignment device AI230120	
Caps GC230010	Same finishing than device
Fixing plate	NP120040H504

Finishing

The entered images are only on illustrative purpose.
Features and colours may differ from what represented.
Other finishing on demand.

IN230120V702

Satinized silver plated



IN230120VN02

Satinized Nickel Plated

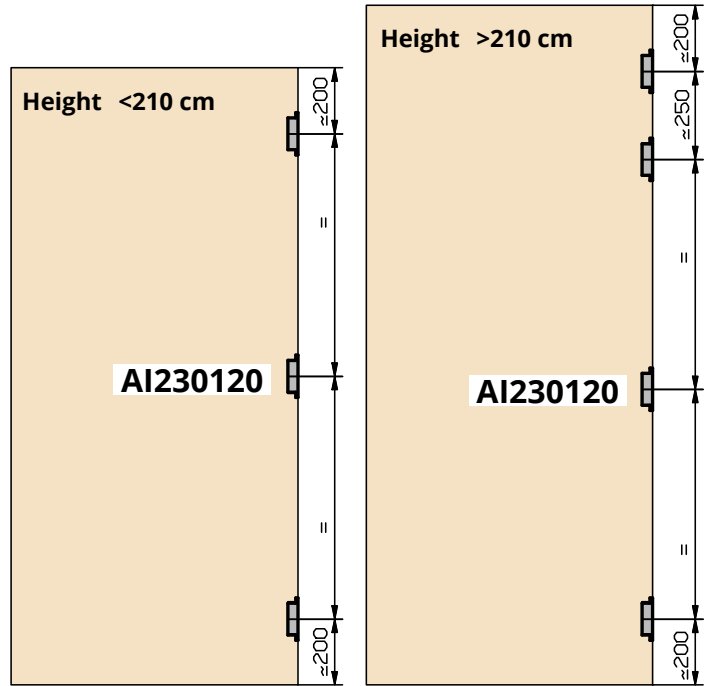


IN230120BO02

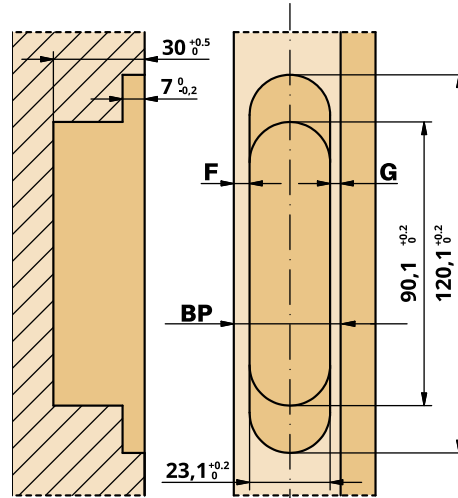
Bronze plated



Positioning



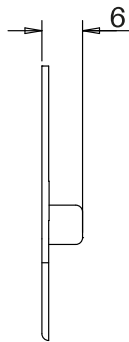
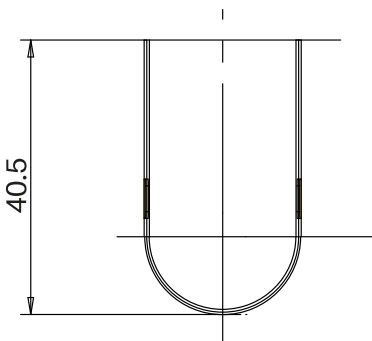
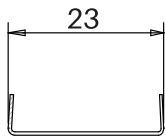
Milling on the shutter



mm

BP	F	G
30	4	3
31	4	4
32	4	5
33	4	6
34	4	7
35	4	8
36	4	9
37	4	10
38	4	11
39	4	12
40	4	13

Caps



Milling on the frame

