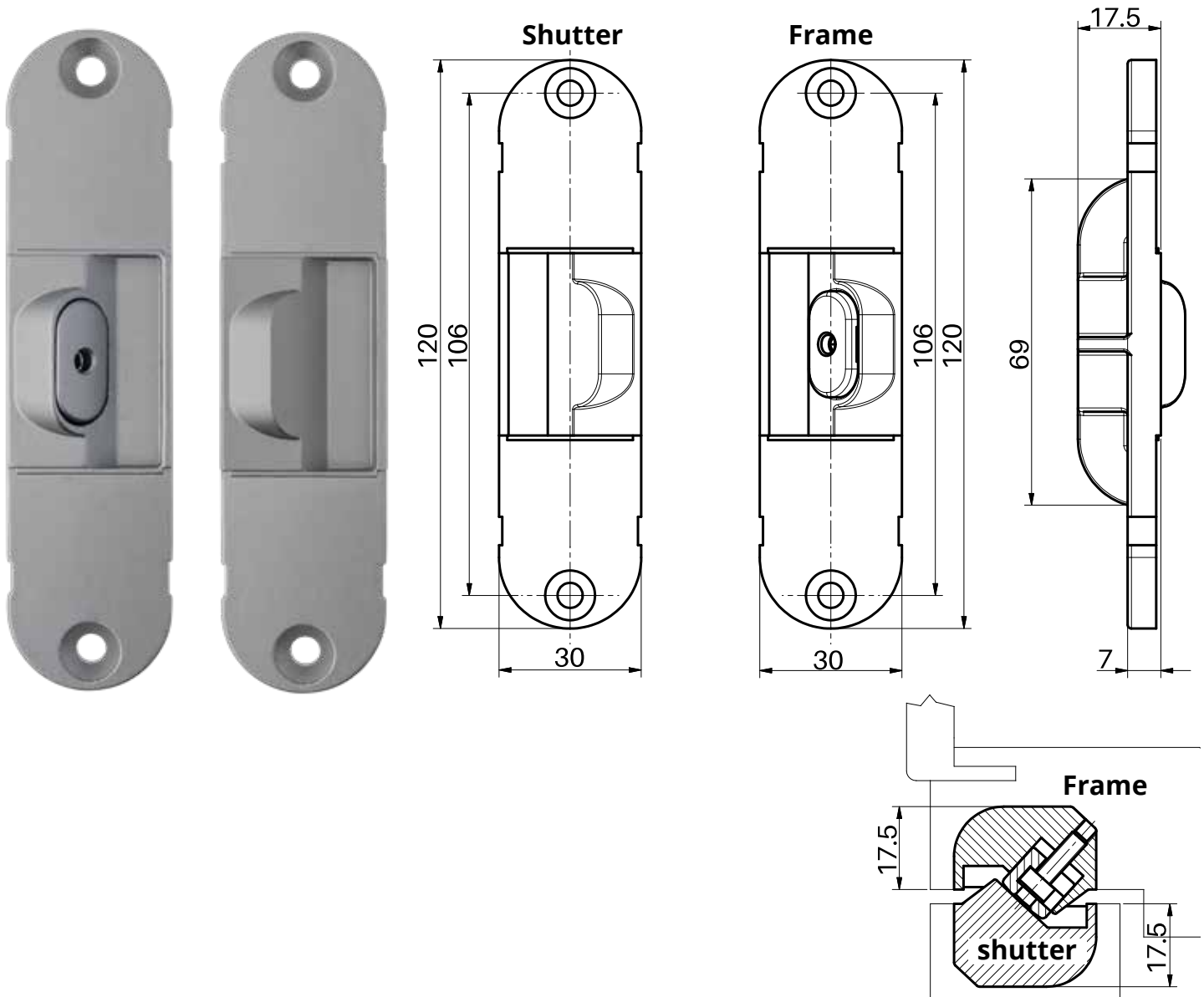


TECHNICAL SHEET INVISACTA AI300

Concealed door alignment device for flush doors



Technical features

- The device allows to keep the shutter aligned to the frame, avoiding in this way door deformities.
- The door alignment device is suitable to be installed on doors and frames in wood and aluminium
- Compatible with millings of IN30 hinges.
- Adjustable tension of the door jamb.
- Material of device: ZAMAK.
- Material of caps: aluminium.

Technical data

Device height	120 mm
width shutter side	30 mm
width frame side	30 mm
Depth	17,5 mm

*Tested with 90x210cm doors

Accessories

Aluminium jig	MU300120G002
Nylon jig	MUINV500G002
Door alignment device AI300120	
Caps GC300010	Same finishing than device
Fixing plate	NP120040H502

Finishing

The entered images are only on illustrative purpose.
Features and colours may differ from what represented.
Other finishing on demand.

IN300120V702

Satinized silver plated



IN300120VN02

Satinized Nickel Plated



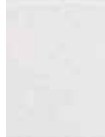
IN300120B002

Bronze plated

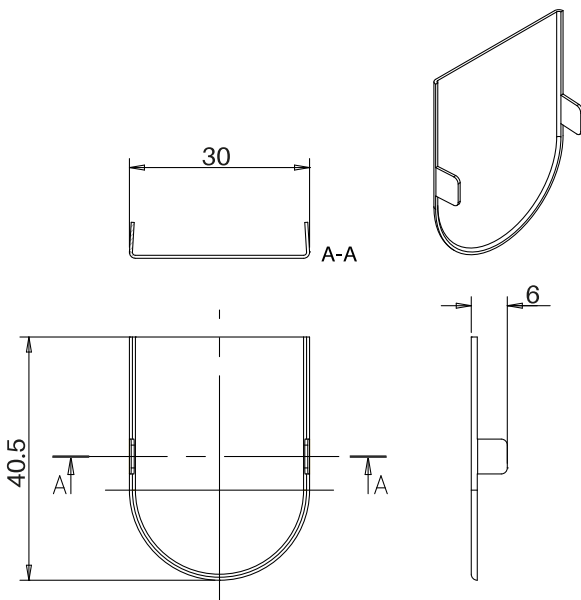


IN3001209P02

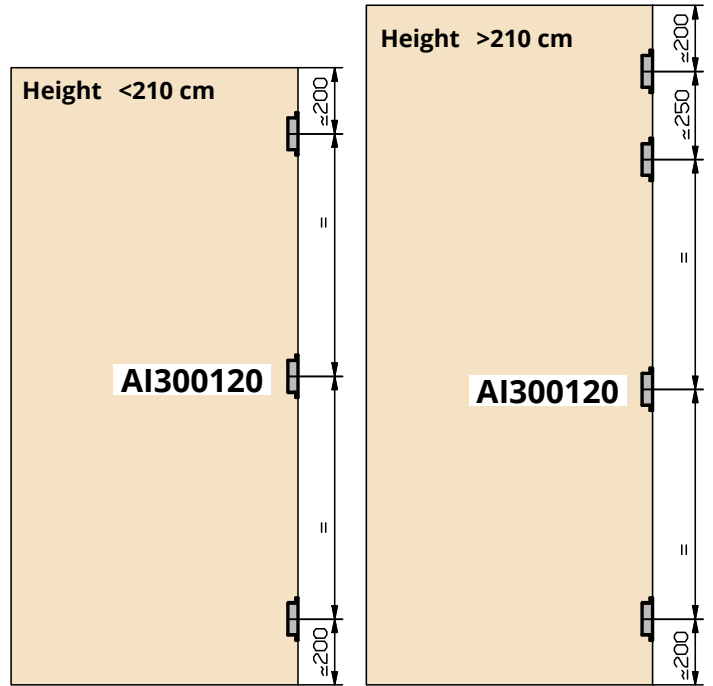
White matt RAL9016



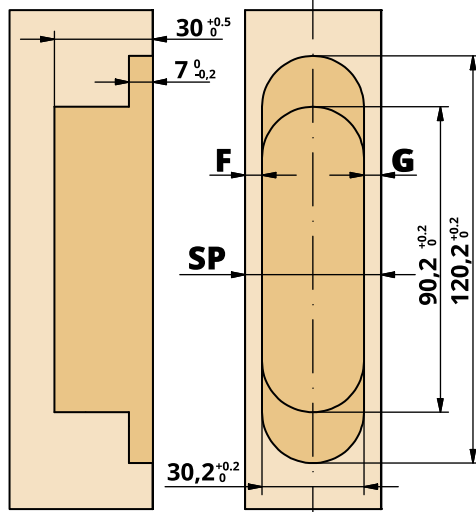
Caps



Positioning



Milling on the shutter



SP	F	G
36	3	3
37	3,5	3,5
38	4	4
39	4,5	4,5
40	5	5
41	5,5	5,5
42	6	6
43	6,5	6,5
44	7	7

Milling on the frame

