

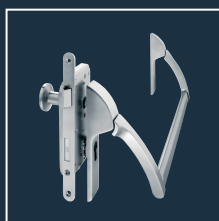
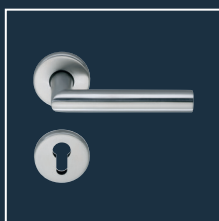
ECO **Newton** TS-31



Product information



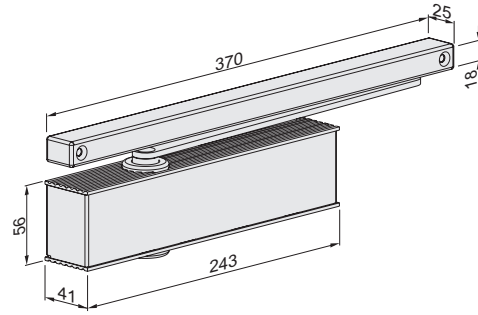
■ SYSTEM TECHNOLOGY FOR THE DOOR



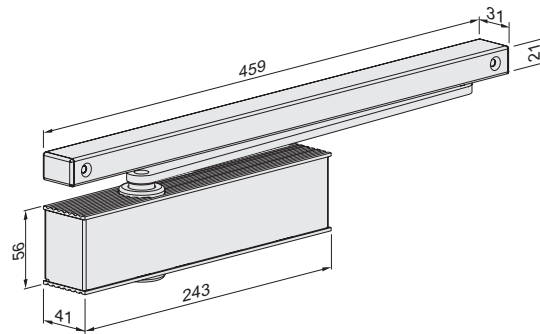
Product characteristics

Closing force (continuously adjustable)	Size acc. to EN	1 – 3
Door width	acc. to EN ≤ 950 mm	■
Dimensions (incl. mounting plate)	Length in mm	243
	Depth in mm	41
	Height in mm	56
Mounting plate acc. to EN 1154 A (supplementary sheet 1) with GS B		□
Hinge side and hinge-opposite side		■
DIN left / right		■
Latching speed (continuously adjustable)		■
Closing speed (continuously adjustable)		■
Back-check (constant)		-
Delayed action (continuously adjustable)		-
Tested acc. to EN	EN 1154 A	
Suitable for fire- and smoke control doors	F	
Certified according to EU-Directive	CE	

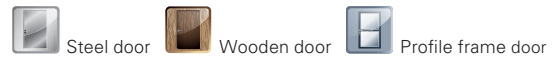
- Yes
- No
- Option



Dimensions: TS-31 with slide rail K



Dimensions: TS-31 with slide rail B

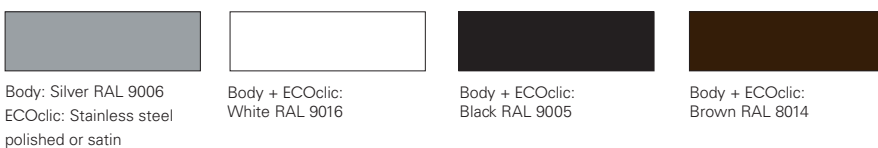


Newton TS-31 ■ Highlights at a glance

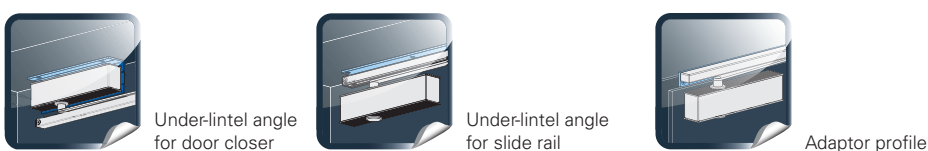


*optional

Details regarding the ECO Newton Highlights can be found in the intro of this chapter.



Slide rail and arm are always delivered in the same colour as the ordered door closer body.



Order information

ECO Newton TS-31 ■ Door closer with slide rail

Product information

Closing force 1 – 3, tested acc. to **EN 1154 A** (for door widths up to 950 mm) continuously adjustable. Latching speed and closing speed continuously adjustable from the side. Same version DIN left and DIN right. Mounting height only 41 mm. Weight: 1.380. Max. door opening angle: 180°

- ECOunity: The ECO Newton closer portfolio covers all door dimensions with only two basic closer units. One execution for all four mounting types
- ECOphysis: Door closer and slide rail build a unit in aluminium and stainless steel
- ECOcllic: The stainless steel cover encloses the aluminium body with the power of spring steel and conceals all of the adjusting elements, thus securing the closer against unauthorized access.
- ECOmount: Optional mounting plate, acc. to **EN 1154**, supplementary sheet 1 – nur with slide rail B
- ECOvalve: Simple, high-precision and permanently secure adjustment of all parameters of the closing process with one conventional Allen key.
- ECOcover²: Optional stainless steel cover for the ECO Newton door closers and related slide rails. Please order the lever arm in stainless steel look for the perfect overall appearance.
- ECOgreen: The intelligent construction and carefully planned use of materials help considerably to save resources
- ECOline: The mounted slide rail and door closer are flush when the door is closed. The colours of all materials are perfectly matched - right down to the end caps of the slide rail K
- ECOvario: permits the use of all slide rail door closers and can even be combined with different door leaf widths. In this way, optimum value for money can be achieved for each individual door situation.

New packaging:

TS-31 B: (Mounting acc. DIN holes) Set incl. door closer, slide rail, arm for slide rail B, mounting plate, mounting instructions, paper template and fixing material.

TS-31 K: (Mounting set incl. door closer body, slide rail K, arm for slide rail K, paper template and fixing material)

Article numbers

Door closer** slide rail B	Colour	Article number
TS-31 B (1 – 3)	Silver RAL 9006*	303155F11A00590
TS-31 B (1 – 3)	White RAL 9016	303155F11E00590
TS-31 B (1 – 3)	Brown RAL 8014	303155F11D00590
TS-31 B (1 – 3)	Black RAL 9005	303155F11G00590



Door closer*** slide rail K	Colour	Article number	Door closer *** without slide rail	Colour	Article number
TS-31 K (1 – 3)	Silver RAL 9006*	303155F11A09010	TS-31 (1 – 3)	Silver RAL 9006*	353155F11A00010
TS-31 K (1 – 3)	White RAL 9016	303155F11E09010	TS-31 (1 – 3)	White RAL 9016	353155F11E00010
TS-31 K (1 – 3)	Brown RAL 8014	303155F11D09010	TS-31 (1 – 3)	Brown RAL 8014	353155F11D00010
TS-31 K (1 – 3)	Black RAL 9005	303155F11G09010	TS-31 (1 – 3)	Black RAL 9005	353155F11G00010

*Door closer body in silver RAL 9006, ECOcllic stainless steel satin, polished on request.

**Scope of delivery: Incl. mounting plate for DIN holes.

***Scope of delivery: Without mounting plate.

ECO COVER²



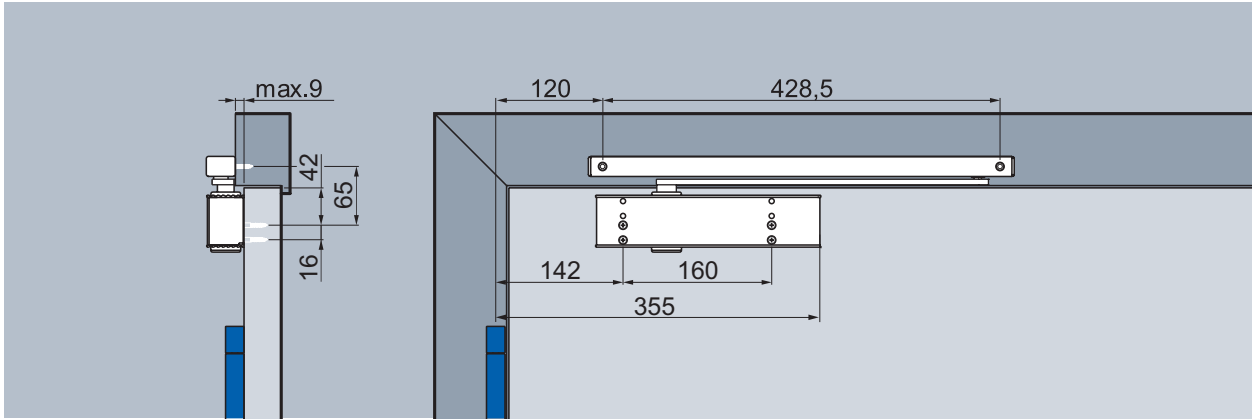
ECO Newton Highlights in detail.

Stainless steel full cover:

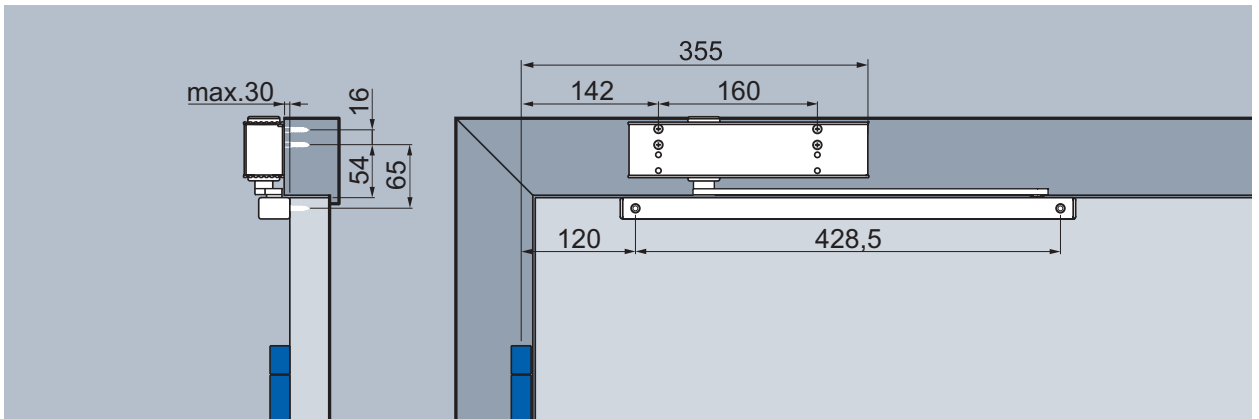
The full cover is an optional stainless steel cover for the ECO Newton door closers and related slide rails. The overall appearance is perfected by a lever arm with a stainless steel look. A cover for the closer body is available for standard arm door closers.

Hinge side

Mounting with slide rail B, illustration DIN left door, DIN right laterally reversed



Standard mounting with slide rail B, hinge side (Mounting, with mounting plate)



Head mounting with slide rail B, hinge side (Mounting, with mounting plate)

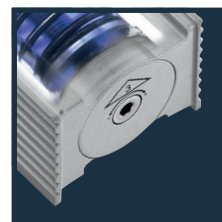
Closing speed

Continuously adjustable closing speed from approx. 180° to 0°

Latching speed

Increases the closing speed and thus the safe closing of the door, for example to overcome door seals, door locks and high air pressure. Continuously adjustable, works between 10 to 0°

Closing force diagram ECO Newton TS-31, hinge side



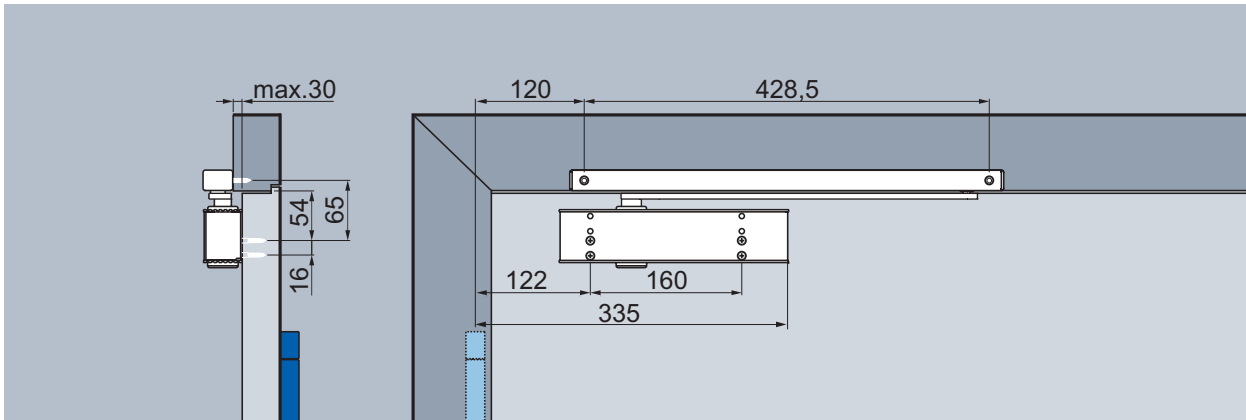
Closing force:

Continuously adjustable min. size 1
max. size 3

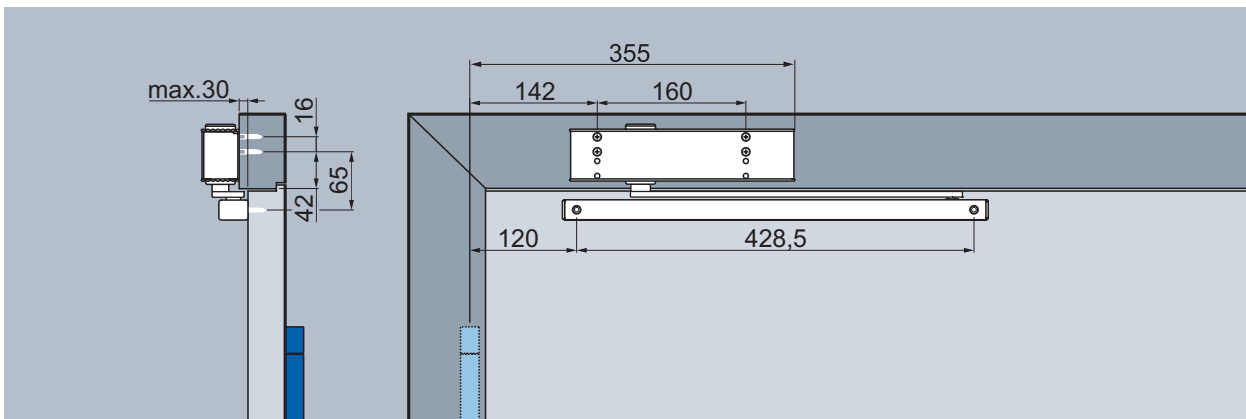
Default delivery condition: size 3

Hinge-opposite side

Mouting with slide rail B, illustration DIN right door, DIN right laterally reversed



Standard mounting with slide rail B, hinge-opposite side (Mounting, with mounting plate)



Head mounting with slide rail B, hinge-opposite side (Mounting, with mounting plate)

Closing speed

Continuously adjustable closing speed from approx. 140°* to 0°

Latching speed

Increases the closing speed and thus the safe closing of the door, for example to overcome door seals, door locks and high air pressure.

Continuously adjustable, works between 10 to 0°

Closing force diagram Newton TS-31, hinge-opposite side

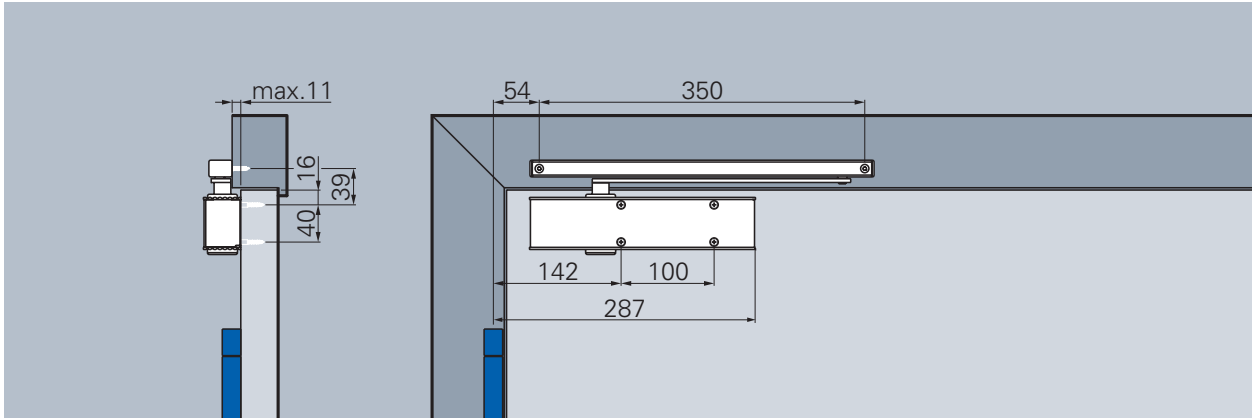


*Varies according to door thickness and type of hinge

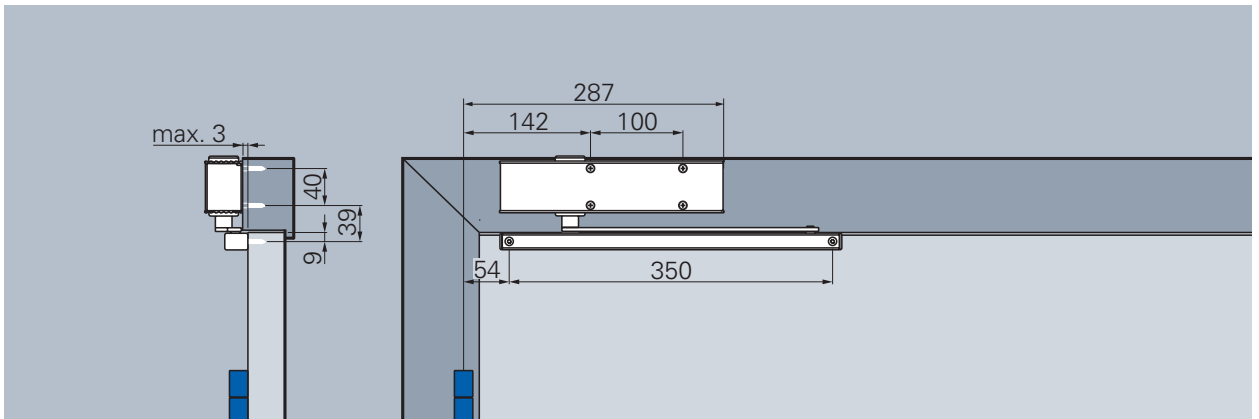
A door stopper for opening limit is a must!

Hinge side

Mounting with slide rail K, illustration DIN left door, DIN right laterally reversed



Standard mounting with slide rail K, hinge side (direct mounting, without mounting plate)



Head mounting with slide rail K, hinge side (direct mounting, without mounting plate)

Closing speed

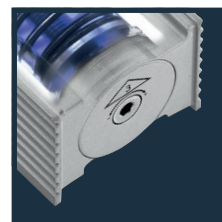
Continuously adjustable closing speed from approx. 180° to 0°

Latching speed

Increases the closing speed and thus the safe closing of the door, for example to overcome door seals, door locks and high air pressure.

Continuously adjustable, works between 10 to 0°

Closing force diagram ECO Newton TS-31, hinge side



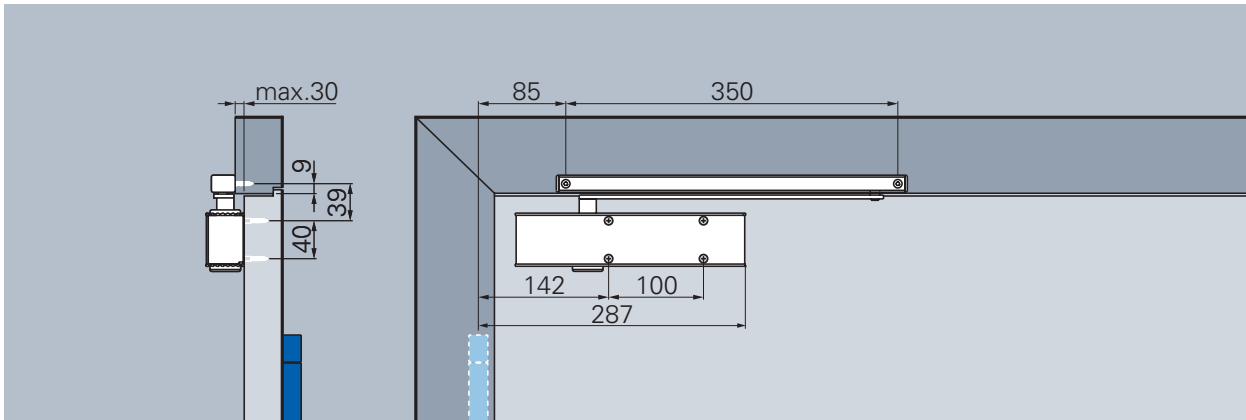
Closing force:

Continuously adjustable min. size 1
max. size 3

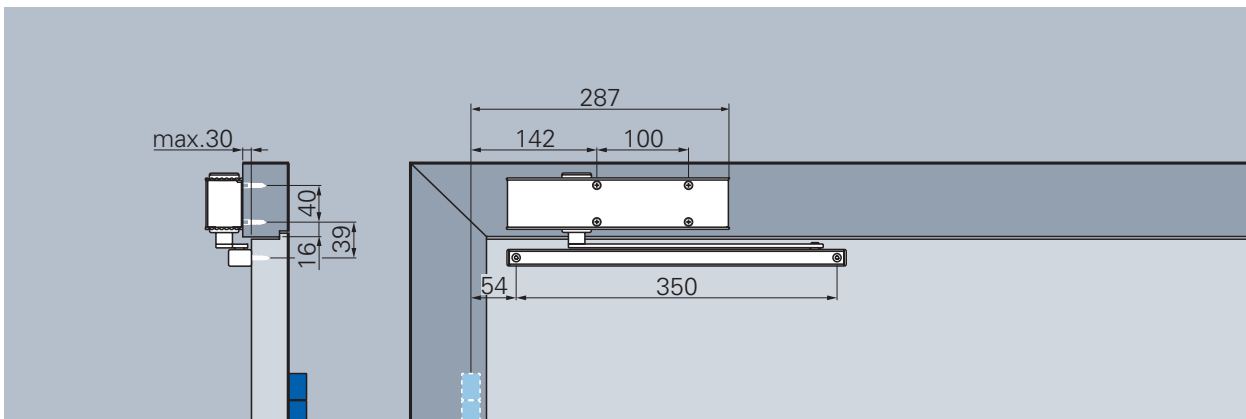
Default delivery condition: size 3

Hinge-opposite side

Mounting with slide rail K, illustration DIN right door, DIN right laterally reversed



Standard mounting with slide rail K, hinge-opposite side (direct mounting, without mounting plate)



Head mounting with slide rail K, hinge-opposite side (direct mounting, without mounting plate)

Closing speed

Continuously adjustable closing speed from approx. 140°* to 0°

Latching speed

Increases the closing speed and thus the safe closing of the door, for example to overcome door seals, door locks and high air pressure.

Continuously adjustable, works between 10 to 0°

Closing force diagram Newton TS-31, hinge-opposite side



*Varies according to door thickness and type of hinge

A door stopper for opening limit is a must!

ECO Schulte GmbH & Co. KG
Iserlohner Landstraße 89
D - 58706 Menden

Telefon: +49 2373/92 76 - 0
Fax: +49 2373/92 76 - 40

info@eco-schulte.de
www.eco-schulte.de

© ECO Schulte GmbH & Co. KG - Änderungen vorbehalten
© ECO Schulte GmbH & Co. KG - Subject to change